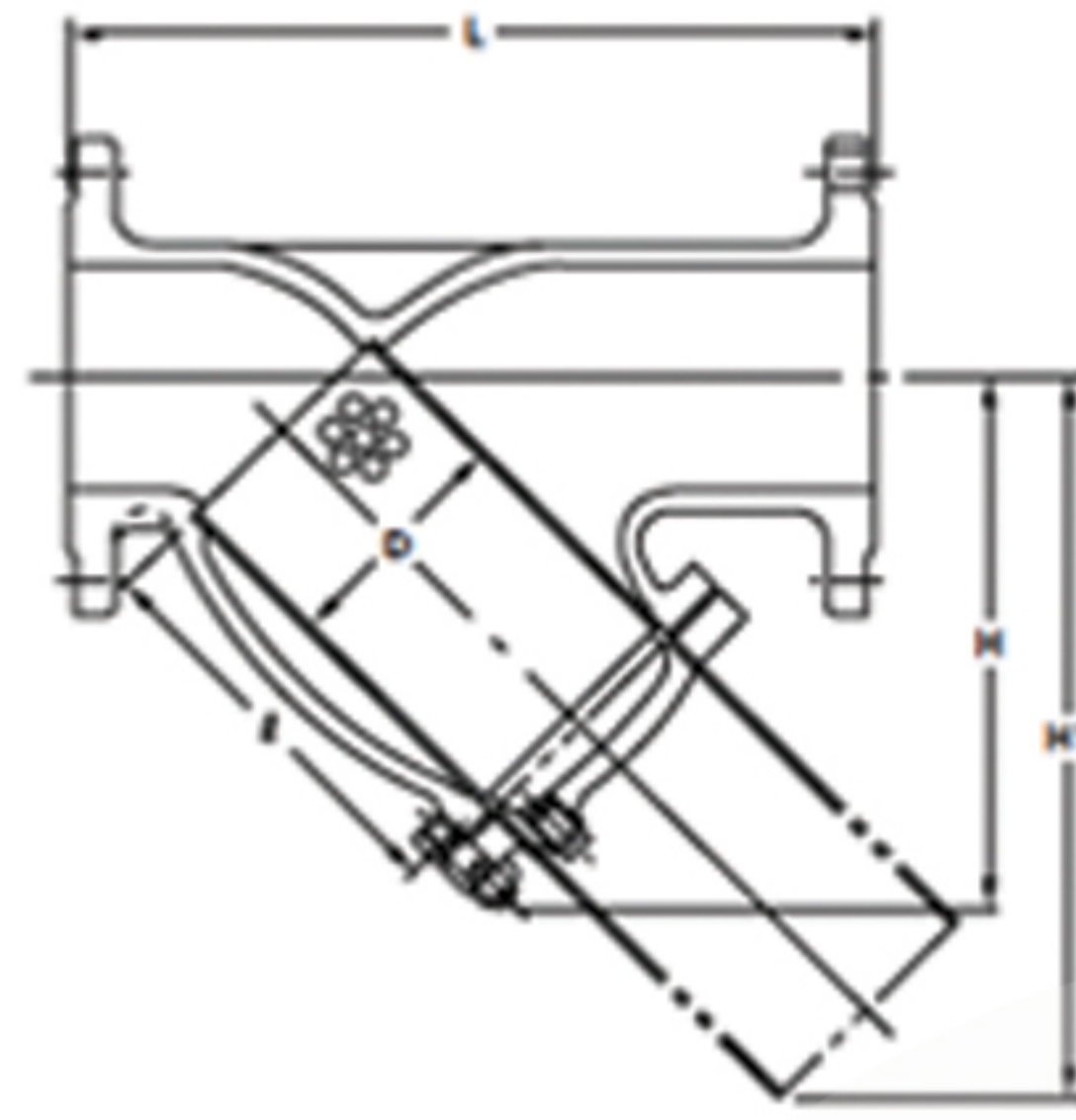


10K**Y-PATTERN STRAINER**

Pressure-Temperature Rating: JIS B2220

10UYA**Materials**

Parts	10UYA
Body	SCS13A
Cover	SCS13A
Gasket	Refer to Page 10
Screen	SUS304

Note: * Screen is a 40-mesh stainless wire net reinforced with a punched stainless steel plate.
 * Size 250 and larger for Fig.

Items

End flange dimensions	JIS B2220 150· ASME B16.5
Wall thickness	KITZ Std.

Nominal Size	2½		3		4		5		6		8		10		12	
	65		80		100		125		150		200		250		300	
L	in.	10.6	11.4	13.8	15.4	17.3	21.3	29.9	34.3							
	mm	270	290	350	390	440	540	760	870							
H	in.	6.30	7.76	9.17	10.5	12.6	15.0	21.2	25.0							
	mm	160	197	233	267	320	380	538	635							
H1	in.	8.46	10.4	12.6	15.1	17.8	21.9	28.5	34.3							
	mm	215	263	320	383	452	555	725	870							
D	in.	2.83	3.39	4.33	5.39	6.38	8.35	10.6	12.6							
	mm	72	86	110	137	162	212	270	320							
ℓ	in.	4.72	5.91	7.09	8.46	10.0	12.2	15.8	18.9							
	mm	120	150	180	215	255	310	400	480							